

# R A D I O N I C S

## D2071A: MAIN Program Record Sheet

### Account Information

Name (Title) \_\_\_\_\_ Account # \_\_\_\_\_ Receiver # \_\_\_\_\_

Address \_\_\_\_\_ Contact Phone # \_\_\_\_\_

Primary Phone # \_\_\_\_\_ Alternate Phone # \_\_\_\_\_

Location of D2071A \_\_\_\_\_ D2071A Serial # \_\_\_\_\_

Transformer Location \_\_\_\_\_ RJ31X Jack Location \_\_\_\_\_

Earth Ground Location \_\_\_\_\_

Account Notes \_\_\_\_\_

---



---



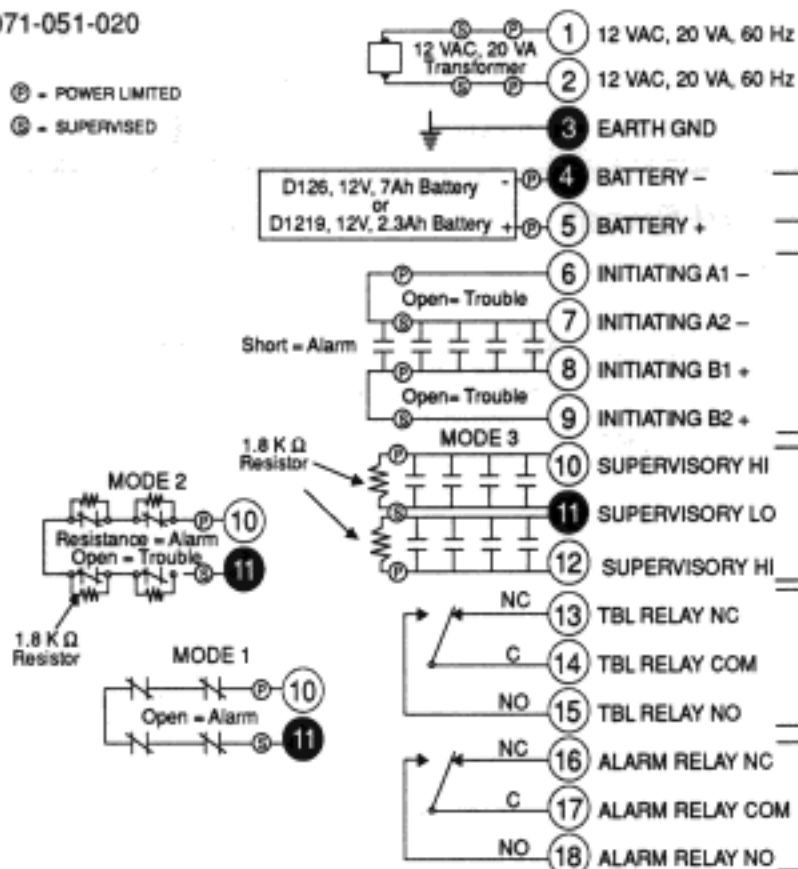
---

### Programming Information

Prompt	Default	Entry	Selections	Notes
Account #			0-9, B-F, Blank	1-3 Digits, right justified
Transmit BFSK	No		Yes or No	Yes=BFSK format, No=Pulse format
DTMF Dialing	Yes		Yes or No	Yes=DTMF dialing, No=Pulse dialing
PriPre			0-9, B-F, Blank	9 characters B = * C = 3 second pause D = 7 second pause E = # F = Toggles between DTMF and pulse dialing
PriPh#			0-9, B-F, Blank	
AltPre			0-9, B-F, Blank	
AltPh#			0-9, B-F, Blank	
12 Volt Mode	Yes		Yes or No	Yes=12V transformer, No=24V power supply
Class B Mode	3		1-3	Mode 1=1, Mode 2=2, Mode 3=3 (see reverse)
Retard Time	0		0-90	Consult the appropriate standard or as allowed by the authority having jurisdiction.
Reset Time	0		0-90	
Hrs Til Rpt	0		1-25	If left at the default (0), the D2071A automatically sends first test report in 12 hours.
Mins Til Rpt	0		0-59	

⊕ = POWER LIMITED  
 ⊙ = SUPERVISED

## Stand Alone Applications



Replace battery every 3 to 5 years.

### Alarm Initiating Circuit (Zone 1) Class A (Style D)

Normal: 1.0-1.9 VDC Short: 0.0-0.3 VDC  
 Maximum of 5 waterflow or 100 mechanically activated initiating devices.  
 Retard/reset times: 0-90 sec.

### Supervisory Circuits (Zones 2 and 3) Class B (Style A)

20 devices maximum per circuit. Mode 3 required for NFPA 71, recommended for NFPA 72(Ch. 8). See installation manual for wiring and programming.

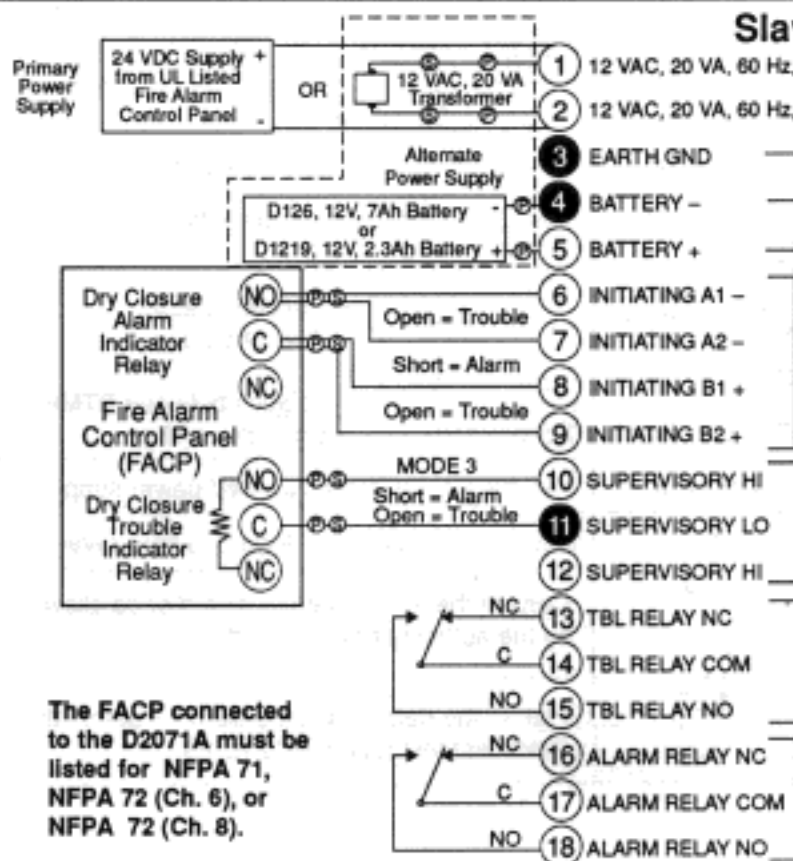
### Telephone Trouble Relay (Form C)

D136 required in socket K5 for optional relay operation.

### Alarm Relay for Initiating Circuit (Form C)

D136 required in socket K6 for optional relay operation.

## Slave Communicator Applications



Do not connect earth ground when connected to 24 VDC power supply.

Do not connect a battery when connected to 24 VDC power supply.

### Alarm Initiating Circuit (Zone 1) Class A (Style D)

Normal: 1.0-1.9 VDC Short: 0.0-0.3 VDC  
 Connect to an alarm initiating (dry closure) output on the FACP.

### Supervisory Circuits (Zones 2 and 3) Class B (Style A)

Connect to a system trouble (dry closure) output on the FACP. Mode 3 recommended for NFPA 71. See installation manual for wiring and programming.

### Telephone Trouble Relay (Form C)

D136 required in socket K5 for optional relay operation.

### Alarm Relay for Initiating Circuit (Form C)

D136 required in socket K6 for optional relay operation.